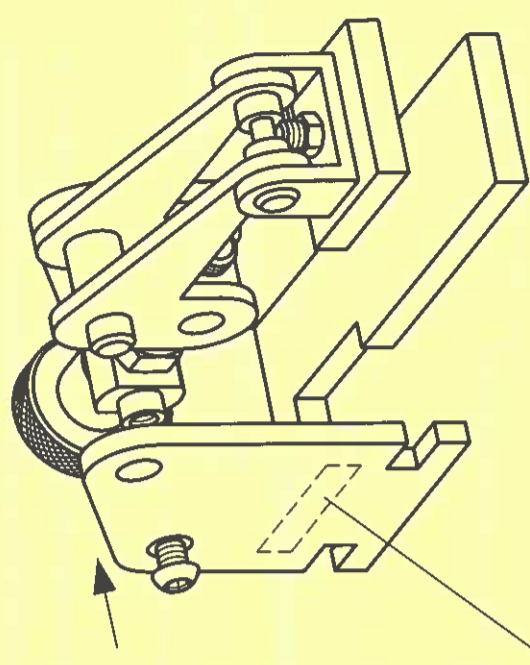


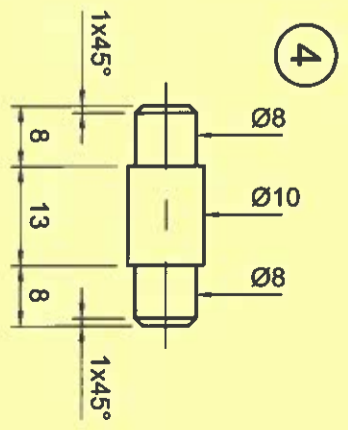
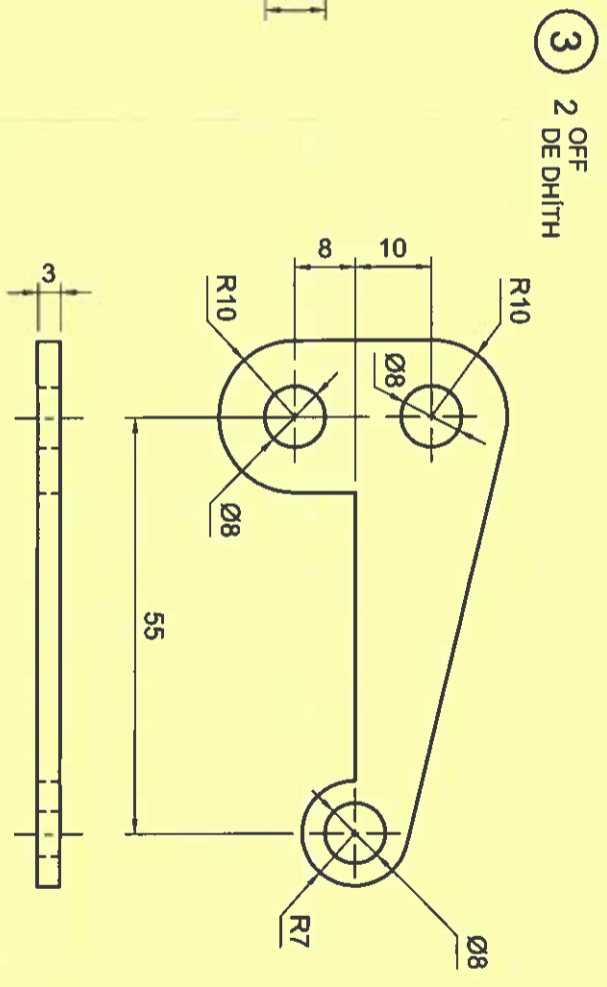
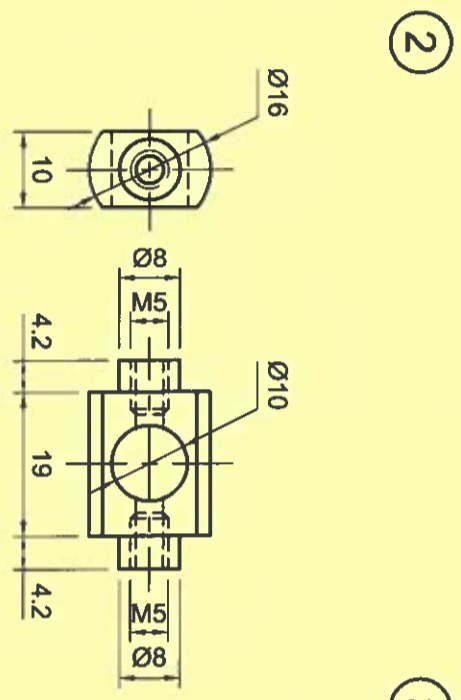
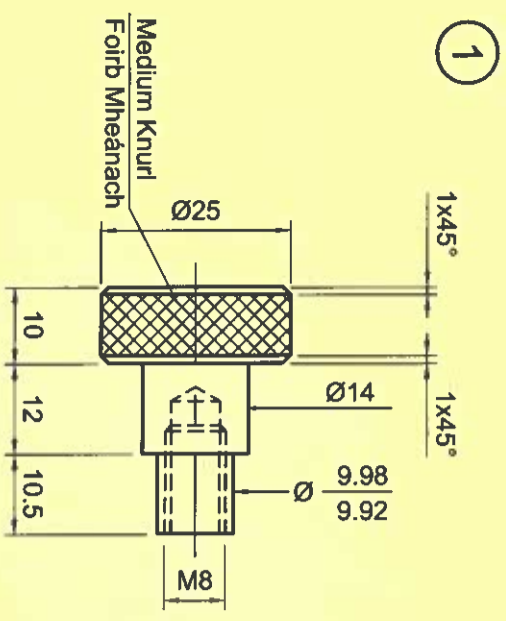
SECTION A-A



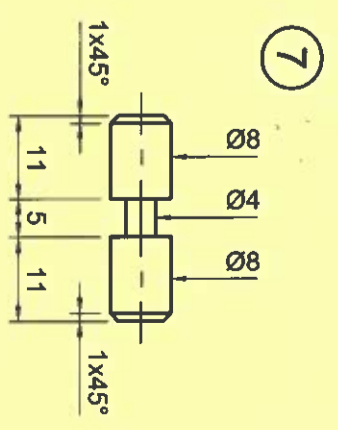
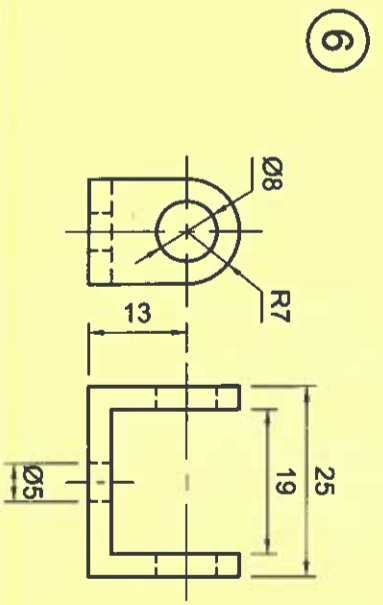
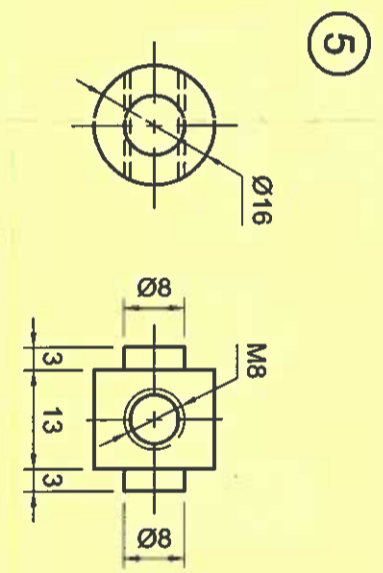
SCRÚDUIMHIR  
EXAM NO.

ASSEMBLY DETAILS  
SONRAÍ CÓIMEÁLA

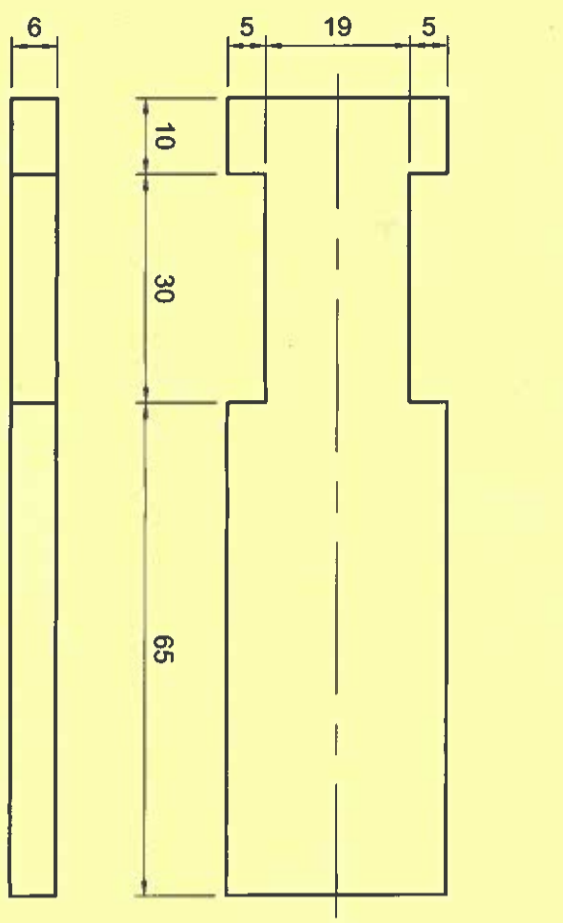
THALL  
OVER



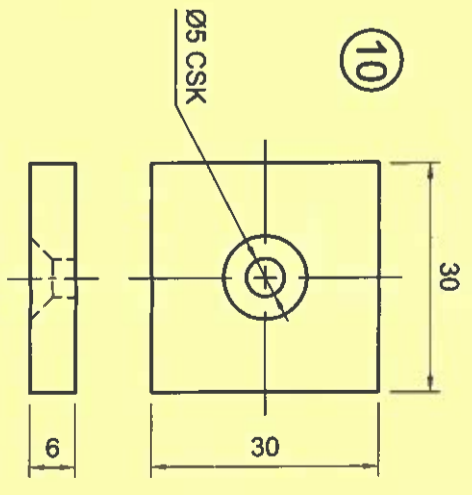
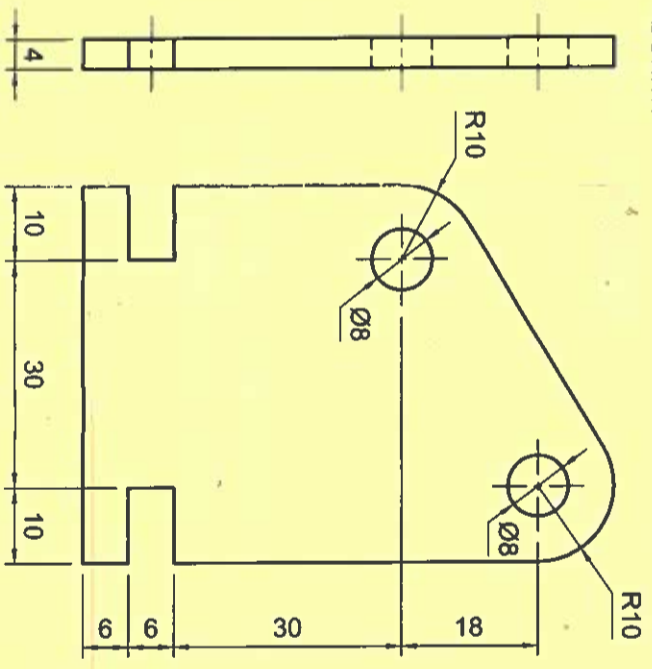
Cuir an scrúdpháipéar seo agus an triailphiosa isteach i gclúdach an iarthóra atá curtha ar fáil, agus tabhair an clúdach don Fheitheoir ag deireadh an scrúdaithe. Put this examination paper and the test-piece into the candidate envelope supplied, and hand up the envelope to the Superintendent at the end of the examination.



Scriobh do Scrúdaimhir sa bhosca seo:  
Write your Examination Number in this box:



9 2 OFF DE DHÍTH



THALL  
OVER