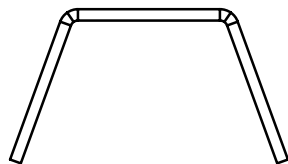
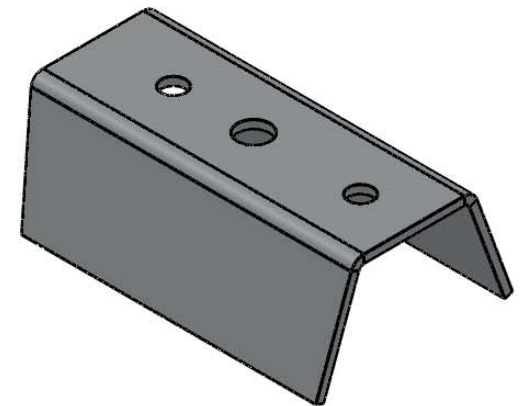
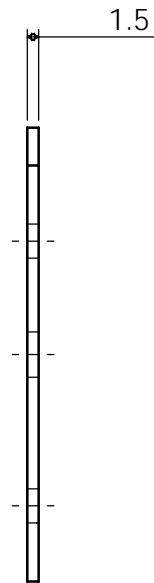
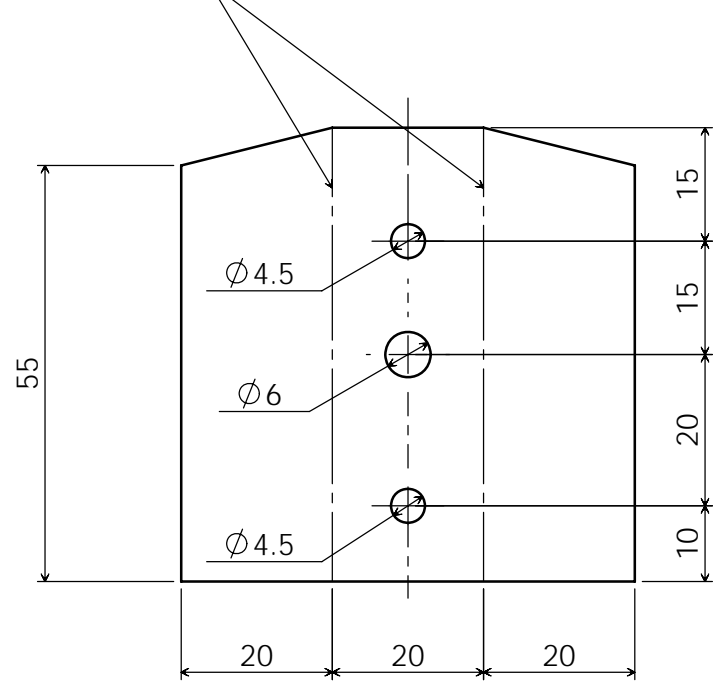


Bend 70°



JC Metalwork Practical	2012
PracticalStudent.com	
Part Number : 6	
Part Name : Centre Support	
Material : Aluminium	A4
Required : 1	15/9/12
Drawing 6 of 9	