



Coimisiún na Scrúduithe Stáit  
State Examinations Commission

## LEAVING CERTIFICATE EXAMINATION, 2025

### ENGINEERING – PRACTICAL EXAMINATION HIGHER AND ORDINARY LEVELS

#### Adjusted Assessment Arrangements for 2025 - Please Read Carefully

##### Instructions to Teachers

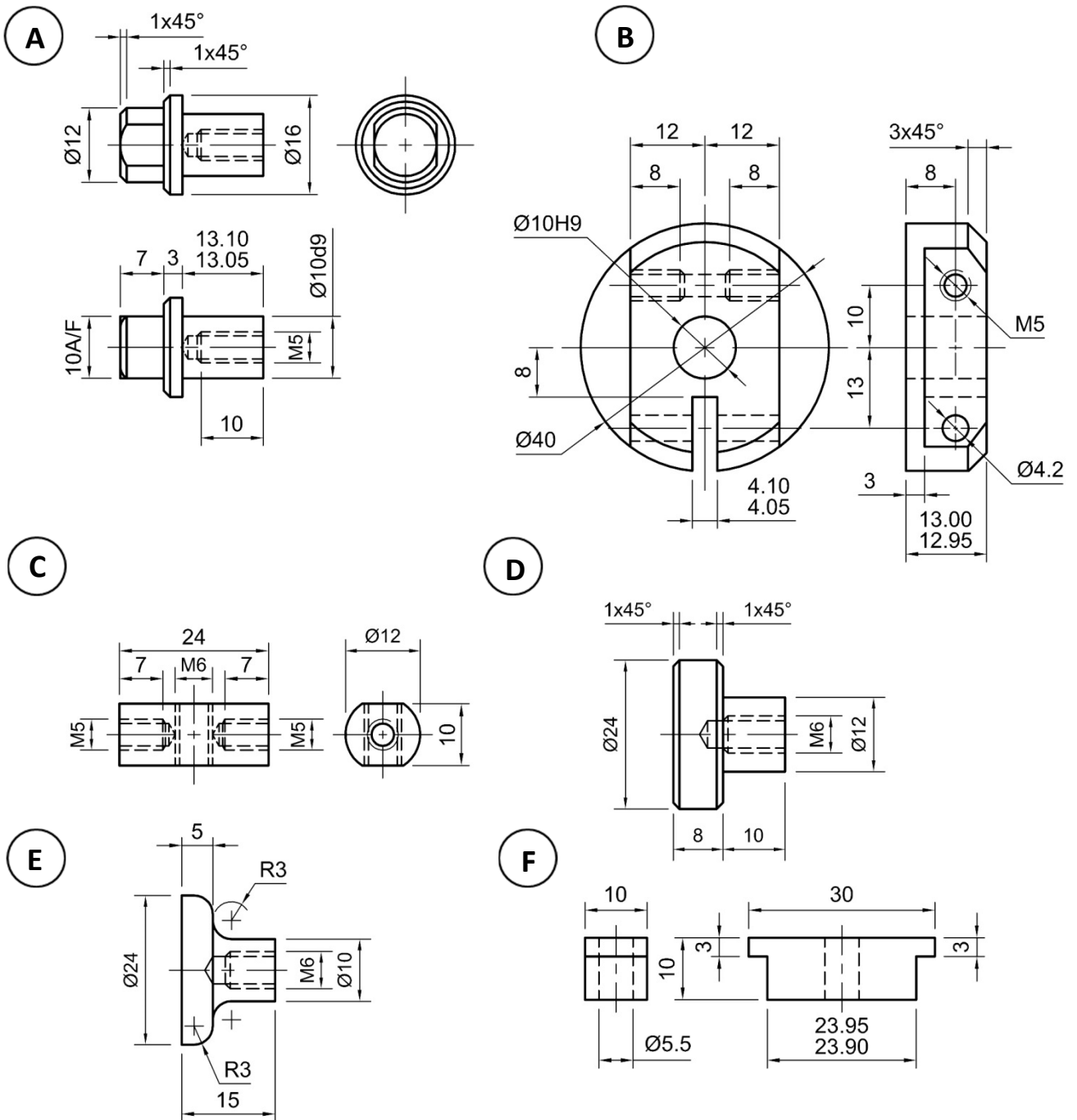
1. Please familiarise yourself with the adjusted assessment arrangements for candidates taking the state examinations in the 2024/25 school year that were issued by the Department of Education. Preparation of materials and components for the 2025 Leaving Certificate Engineering Practical Examination must be carried out in accordance with these adjusted arrangements.
2. The adjusted arrangements, for the 2025 Leaving Certificate Engineering Practical Examination, state that candidates do not have to partake in the preparation of the materials and components required for this examination. Therefore, candidates will not be awarded marks for the manufacture of this preparatory work.
3. The Engineering teacher may prepare the materials and make the components required for the examination, according to the materials list and drawings provided on pages 2 and 3. Alternatively, the school may outsource this work. This preparatory work must be completed and checked by April 2025, in advance of the three-day Engineering Practical Examination schedule.
4. The equipment, materials and components required for the 2025 Leaving Certificate Engineering Practical Examination are provided on pages 2 and 3.
5. All prepared materials and finished components should be stored safely until examination day.
6. It is important that all drilling machines are fully operational and complete with accurate chucks, machine vices and clamps. Drills as specified are required to be in optimum machining condition.

##### \*Note to Teachers:

The STL File for 3D printing **Part B** is available to download on the SEC website at the URL shown:  
<https://www.examinations.ie/engineering-practical>



**Note:** It is required to prepare materials and make Parts A to F, according to the materials list on page 2 and the drawings shown below by April 2025, in advance of the three-day Engineering Practical Examination schedule.

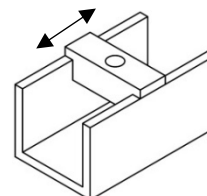


Nominal Diameter 10 mm		
	Upper Limit	Lower Limit
H9	10.036	10.000
d9	9.960	9.924

**Note:**

- Part A should rotate freely in Part B.
- Part F should slide freely on 25 × 30 × 25 × 3 U-Aluminium.

**Note:** General Tolerance ± 0.2 mm.



There is no examination material on this page.